

Wall Spacer Installation Guide by Smart Retract

The distance between brackets across opening X and Y (see **Fig. 1**) *must* be identical for proper operation of the gate or barrier. Use spacers to adjust this distance (*eight spacers maximum per bracket*). Two common scenarios requiring spacers are shown in Fig. 2 and 3. **Refer to your gate or barrier User's Guide for proper bracket height and installation.**

Parts Included: Ten 1/8 inch thick Wall Spacers

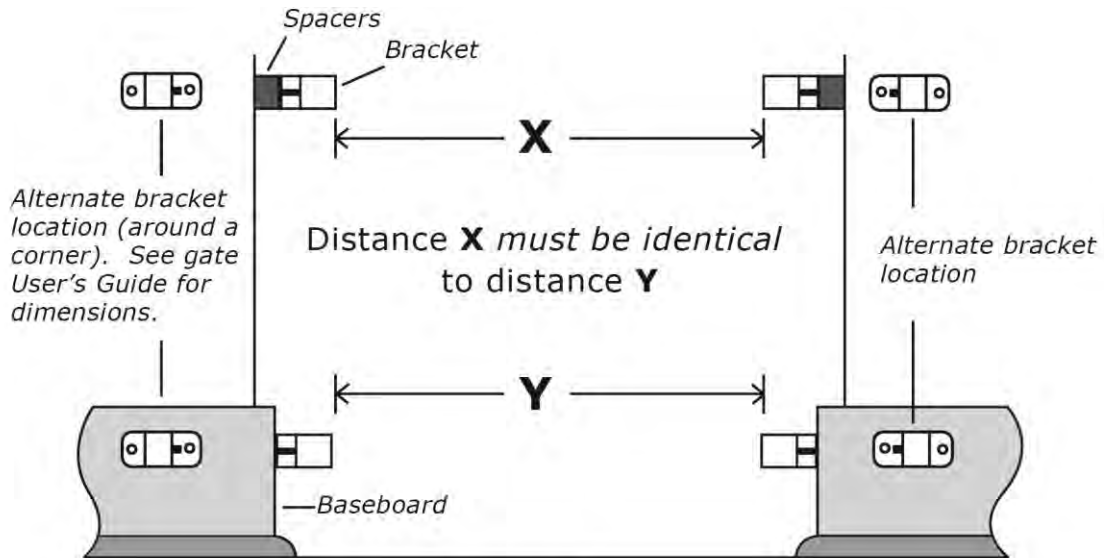


Figure 1

Brackets mounted **above** baseboard require spacers under BOTH brackets

Brackets mounted **on** baseboard require spacers under top bracket ONLY

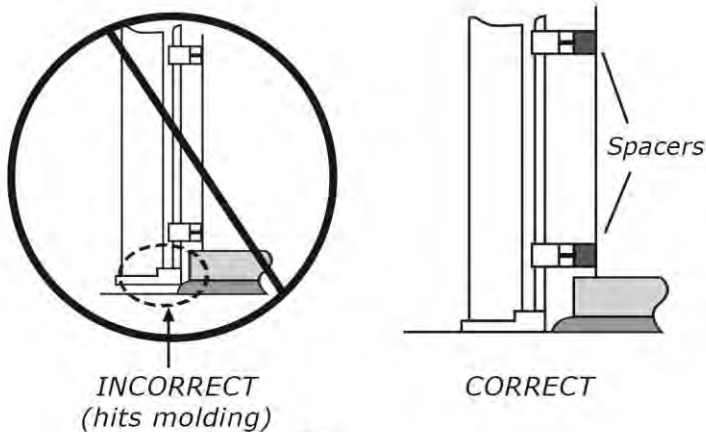


Figure 2

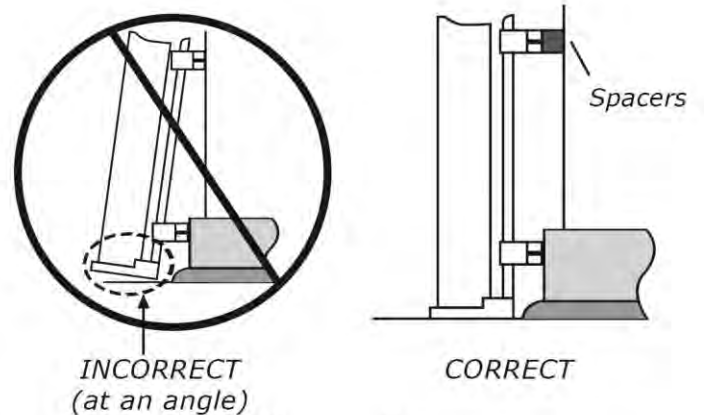


Figure 3

Website: www.SmartRetract.com
 Email: info@SmartRetract.com
 Phone: (877) 588-2530

Smart Retract Inc.
 2530 Kerper Blvd.
 Dubuque, IA 52001
 USA